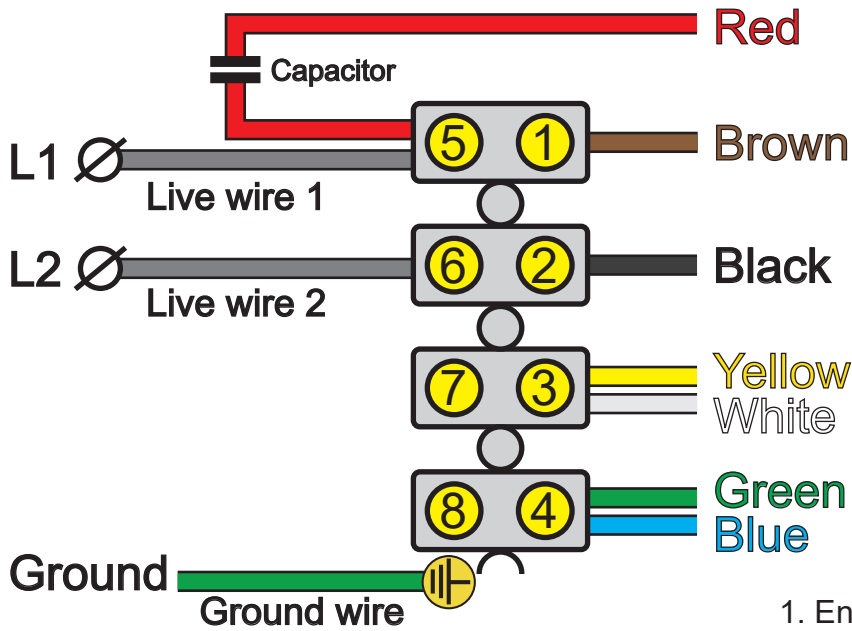


Relaax204-ES Wiring Diagram

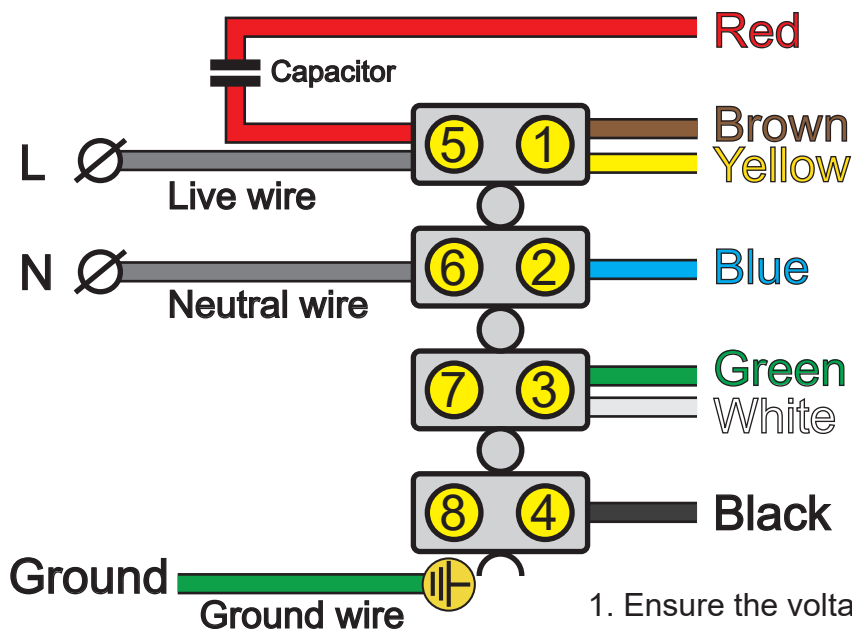
<https://www.lingxiaopumps.com/>

230V(60HZ) Set Up(Factory Wiring)



1. Ensure the voltage of the circuit 230V/60HZ.
2. Live wire 1: connect to terminal ⑤.
3. Live wire 2: connect to terminal ⑥.
4. Ground wire: connect to terminal Ground (⏏).

115V(60HZ) Set Up



1. Ensure the voltage of the circuit 115V/60HZ.
2. Move Yellow wire from 3 to 1.
3. Move Blue wire from 4 to 2.
4. Move Black wire from 2 to 4.
5. Move Green wire from 4 to 3.
6. Live wire: connect to terminal ⑤.
7. Neutral wire: connect to terminal ⑥.
8. Ground wire: connect to terminal Ground (⏏) (under terminal 8).